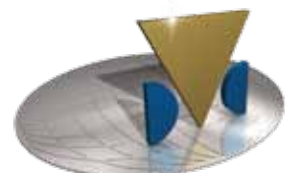


Valves with a difference



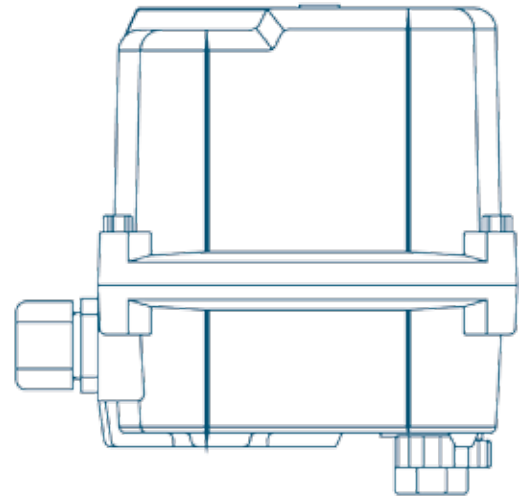
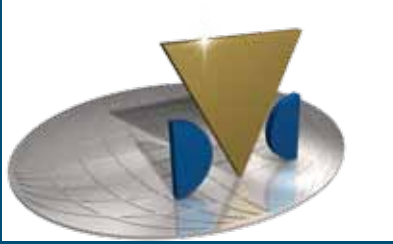
Electrical Actuators



DVC INTERNATIONAL

With DVC International as your business partner, you are always guaranteed a wide, well sorted product range and a unique technical know-how

Product development is a key factor for DVC, ensuring you the best products at any time



CE approved
 Long Service
 Large Program
 Load Shedding
 Value for Money
 Versatile & Easy Mounting
 Protection against Condensation

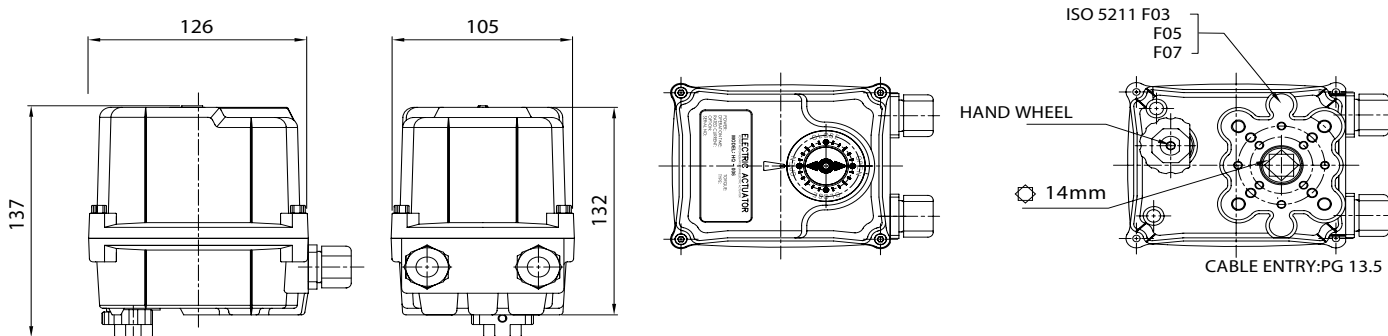
What is important to you, when you buy Electrical Actuators? What about: CE-approved? Long service? Large program? Load shedding? Value for money? Versatile & easy mounting? Prevention against condensation?

Electrical Actuators from DVC International are characterized by their heavy-duty construction and easy mounting. The Electrical Actuators are available in a wide range of dimensions and at very competitive prices.



Type 5630 - 006

Dimensions - 006



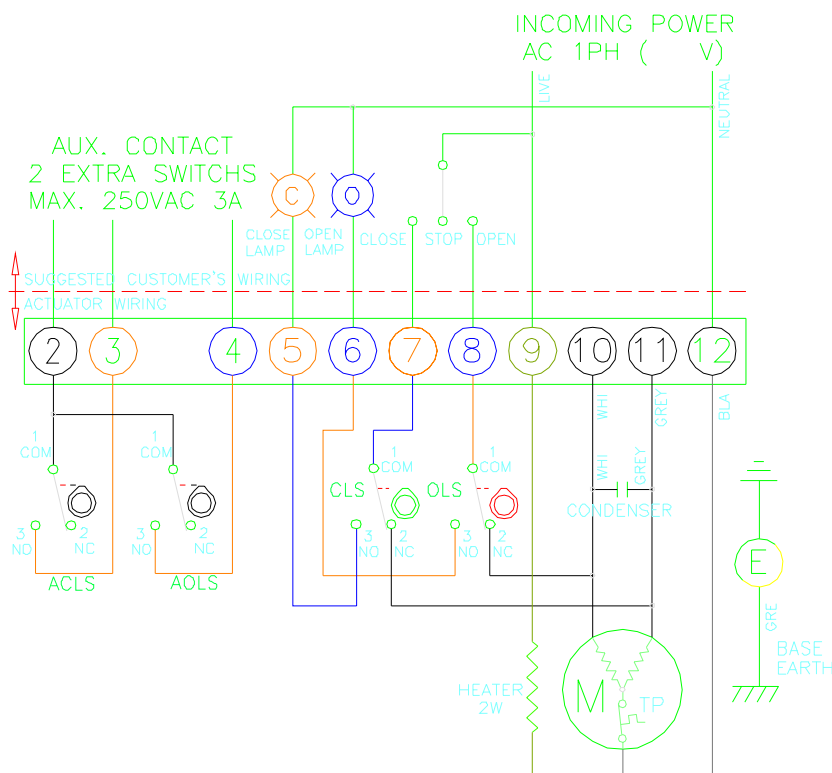
Standard Specifications

Enclosure	IP 67
Power supply	230V AC 1PH, 50 / 60 Hz, ± 10%
Duty cycle (on-off duty)	S2, 30 min.
Travel	Reversible travel
Limit switches	Open / close, SPDT, 250V AC 10A rating
Additional limit switches	Open / close, SPDT, 250V AC 10A rating
Space heater	2W (220V AC) Anti-condensation
Manual override	Hand wheel (hexagon design)
Cable entries	2 x PG 13.5 Tap (option: NPT 1/2", PT 1/2", PF 1/2")
Movement angle	90° standard
Ambient temperature	-20° C. - 70° C.
External coating	Anodizing treatment before dry powder, polyester, Munsell no. 5R 3.5/12

Optional Specifications

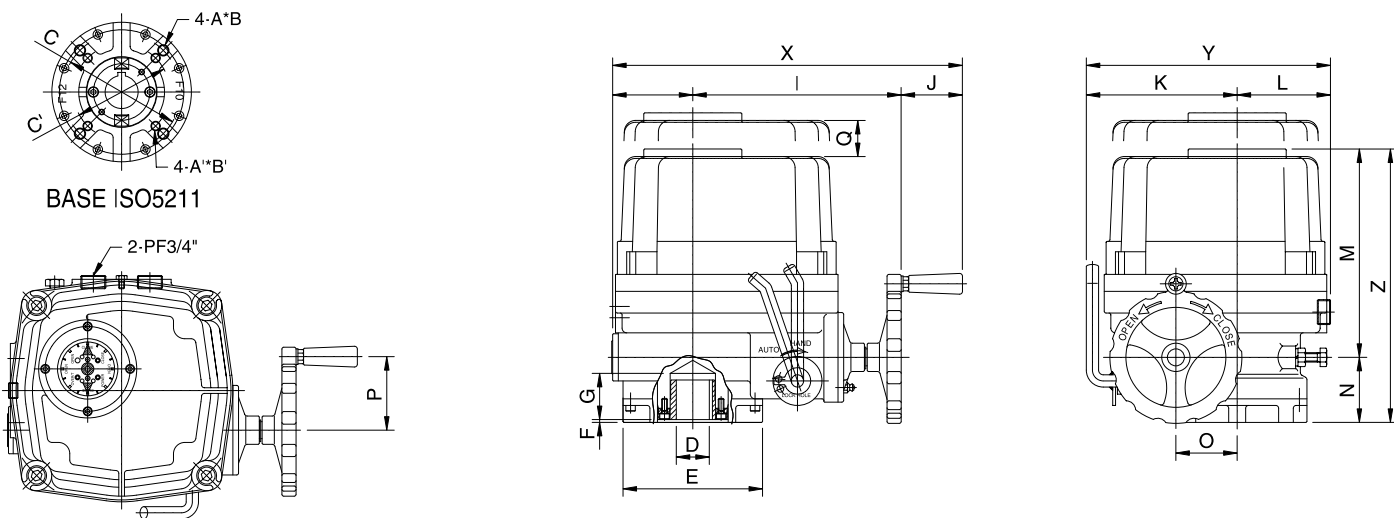
PIU	Potentiometer Unit (0 - 1 KΩ)
PCU	Proportional Control Unit (in / out: 0 - 10V, 4 - 20 mA DC)
CPT	Current Position Transmitter (Output 4 - 20 mA DC)
ADCM	Multi (24V AC / DC)
DCM	DC motor (24V DC)
LCU	Local Control Unit - remote / local - open / stop / close

Wiring Diagram



Type 5630 - 008-120

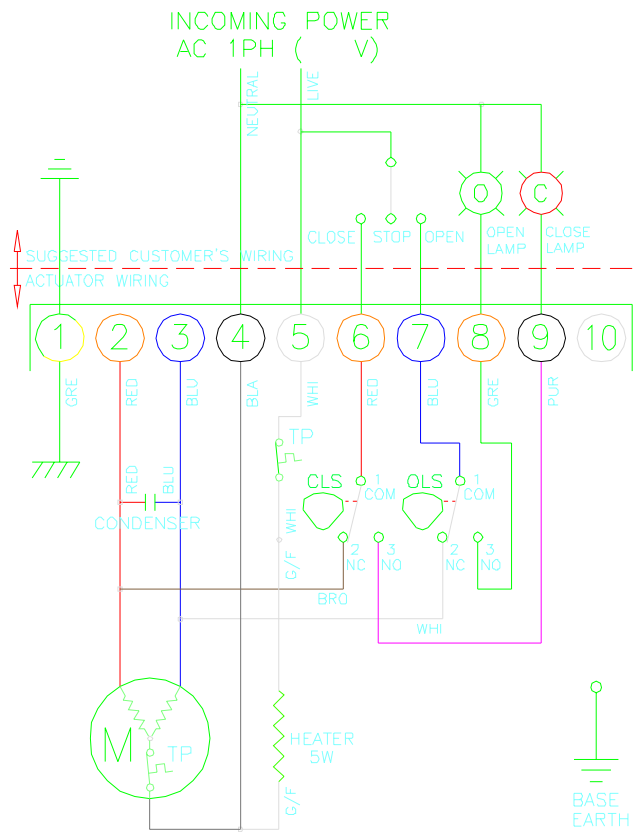
Dimensions - 008, 010, 015, 020, 030, 050, 060, 080, 120



Model	ISO 5211	A	øD	E	F	G	H	I	J	K	L	M	N	O	P	Q	X	Y	Z
008	F07	M8	20	88	3	32	50	157	51	100	70	182	53	40	60	120	258	170	235
010	F07	M8	20	88	3	32	50	157	51	100	70	182	53	40	60	120	258	170	235
015	F07 / F10	M8 / M10	22	125	3	42	73	200	65	142	87	200	68	54	78	160	338	229	268
020	F07 / F10	M8 / M10	22	125	3	42	73	200	65	142	87	200	68	54	78	160	338	229	268
030	F10 / F12	M10 / M12	35	148	3	49	82	221	65	160	99	235	69	65	78	180	368	259	304
050	F10 / F12	M10 / M12	35	148	3	49	82	221	65	160	99	235	69	65	78	180	368	259	304
060	F10 / F12	M10 / M12	35	148	3	49	82	221	65	160	99	235	69	65	78	180	368	259	304
080	F12 / F14	M12 / M16	45	178	3	57	103	242	65	186	111	256	74	78	110	210	410	297	330
120	F12 / F14	M12 / M16	45	178	3	57	103	242	65	186	111	256	74	78	110	210	410	297	330

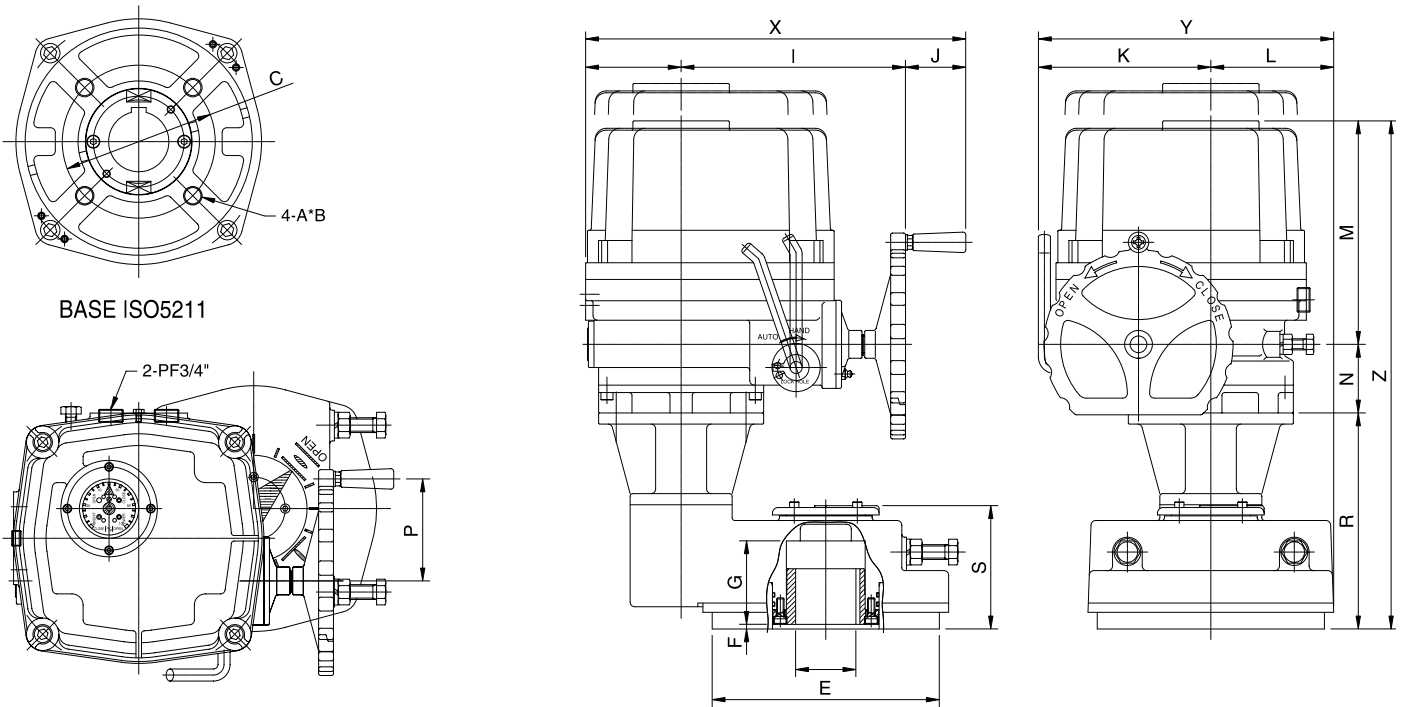
Size 015 has a 17 mm x 17 mm square

Wiring Diagram (008 and 010)



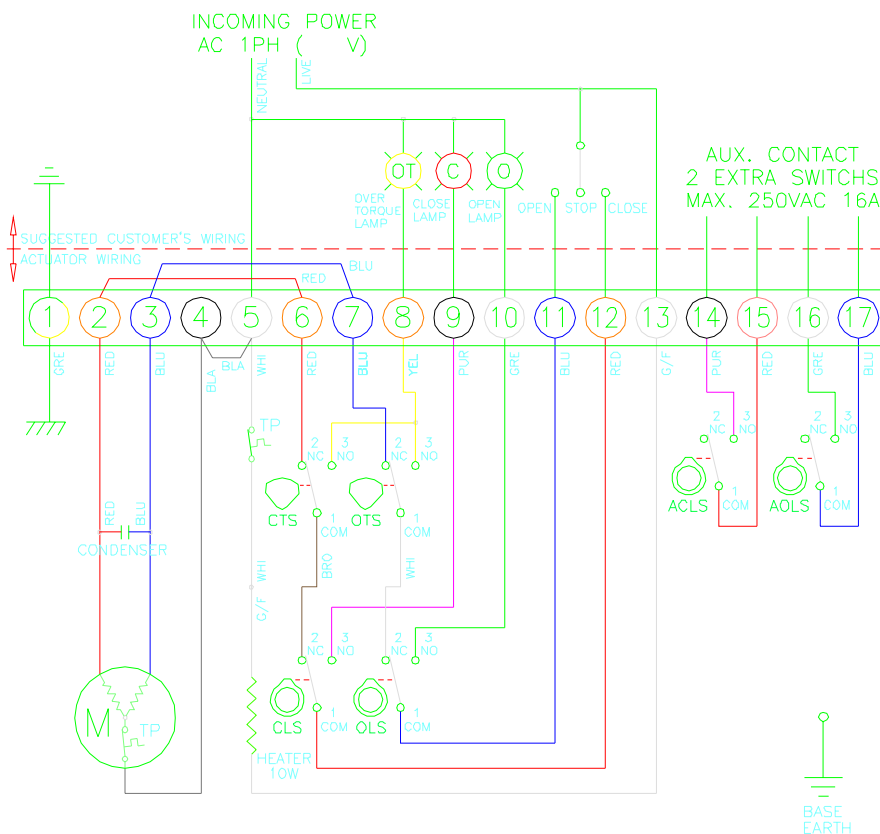
Type 5630 - 200, 300

Dimensions - 200, 300



Model	ISO 5211	A	øD	E	F	G	H	I	J	K	L	M	N	O	P	Q	R	S	X	Y	Z
200	F12 / F14	M16 / M20	65	245	5	90	103	242	65	186	133	256	74	78	110	210	233	133	410	319	563
300	F12 / F14	M16 / M20	65	245	5	90	103	242	65	186	133	256	74	78	110	210	233	133	410	319	563

Wiring Diagram (015, 020, 030, 050, 060, 080, 120, 200, 300)



Performance

Performance - 006

Type	Max. output torque		Operating time 60/50 Hz	Mounting size	Rated current (A) 60 Hz			Duty cycle IEC 34-1	Number of handle turn	Weight
	Kg.m	N.m			AC 1PH. 50/60HZ		DC			
			90°		110V	230V		24V		
006	6	58	12 / 14 sec.	F03 / F05 / F07	0.4 / 0.39	0.2 / 0.19	0.2	S2(min)	8	3

Performance 008 - 300

Type	Max. output torque	Operating time (sec.) 60/50 Hz	Maximum bore size	Rated current (A) 60 Hz				Duty cycle IEC 34-1	Number of handle turn	Weight
				1 Phase		3 Phase				
				Kg.m	90°	mm	110V	230V	400V	440V
008	8	13 / 16	Ø 20	0.96/0.97	0.47/0.46	N/A	N/A	30	10	7.4
010	10	16 / 20	Ø 20	0.96/0.97	0.47/0.46	N/A	N/A	30	10	7.4
015	15	21 / 25	Ø 22	1.51/1.62	0.72/0.84	0.35/0.27	0.55/0.34	30	11	16.6
020	20	21 / 25	Ø 22	1.51/1.62	0.72/0.84	0.35/0.27	0.55/0.34	30	11	16.6
030	30	26 / 31	Ø 35	1.37/1.67	0.68/0.81	0.33/0.27	0.43/0.30	30	13.5	22
050	50	26 / 31	Ø 35	4.27/3.56	1.37/1.27	0.51/0.42	0.66/0.46	30	13.5	23
060	60	26 / 31	Ø 35	4.27/3.56	1.37/1.27	0.51/0.42	0.66/0.46	30	13.5	23
080	80	31 / 37	Ø 45	3.47/4.45	1.81/2.32	0.83/0.61	1.10/0.73	30	16.5	29
120	120	31 / 37	Ø 45	3.47/4.45	1.81/2.32	0.83/0.61	1.10/0.73	30	16.5	29
200	200	93 / 112	Ø 65	3.47/4.45	1.81/2.32	0.83/0.61	1.10/0.73	30	49.5	75
300	300	93 / 112	Ø 65	3.47/4.45	1.81/2.32	0.83/0.61	1.10/0.73	30	49.5	75

Position indicator

Option: illuminated red (close), yellow (over torque), white (power)

Window cover

Actuator cover - High corrosion resistance due to anodizing on the inside and outside, polyester powder coating on the outside.

Motor - available in 1 phase / 3 phase, all motors are custom built for high-torque, low current draw and the highest duty cycle ratings offered. (S2: 30 min., S4: 70%)

Window

Capacitor

Close cam

Open cam

Actuator body

Mechanical stoppers (rear side)

Dual conduit connection (rear)

Torque switch system ex. 080 / 010

Easy mounting base standards to ISO 5211

Terminal block

Manual hand wheel

Manual override

Heater and thermostat

Two worm gear assembly
Self locking with minimum backlash in the transmission

Specifications

Standard Specifications for size 008 - size 300

Enclosure	IP67, NEMA 4 and 6
Power supply	220V / 230V AC 1PH, 380 & 440V AC 3PH 50 / 60 Hz, ± 10%
Control power supply	220V / 230V AC 1PH, 50 / 60 Hz, ± 10%
Duty cycle (on-off duty)	S2, 30 min.
Duty cycle (modulating)	S4, 70% max. 300 - 1600 start / hour
Motor	Induction motor (reversible motor)
Limit switches	Open / close, SPDT, 250V AC 16A rating
Additional limit switches	Open / close, SPDT, 250V AC 16A rating
Torque switches	Open / close, SPDT, 250V AC 16A rating (except 008 and 010)
Stall protection / operating temp.	Built-in thermal protection, open 150° C. ± 5° C. / close 97° C. ± 15° C.
Travel angle	90° ± 10° (0° - 110°)
Indicator	Continuous position indicator
Manual override	Declutching mechanism
Self locking	Provided by double worm gearing
Mechanical stopper	2 x external adjustable screws
Space heater	10W (220V AC) Anti-condensation)
Cable entries	3 x PF 3/4" tap (standard type only)
Lubrication	Grease moly (EP type)
Terminal block	Spring loaded lever push type
Materials	Steel, Aluminium alloy, AI bronze, Polycarbonate
Ambient temperature	-20° C. - 70° C. (except option electronic board)
Ambient humidity	90% RH max. (non-condensing)
Anti vibration	X Y Z 10 g, 0.2 - 34 Hz, 30 min.
External coating	Anodizing treatment before dry powder, Polyester, Munsell no. 5R 3.5/12

Optional Specifications for size 008 - size 300

EXA	Explosion proof enclosure actuator (E EX d IIB T4)	All
WTA	Watertight enclosure actuator (IP68 10M 72HR)	All
PIU	Potentiometer (0 - 1 KΩ)	All
PCU	Proportional Control Unit (input, output 0-10V DC, 4-20V mA DC)	All
ATS	Additional Torque Switches (SPDT x 3EA 250V AC 10A rating)	Except 008 / 010
SICU	Semi-Integral Control Unit (LCU + IMS + phase protect indicator)	Except 008 / 010
ICU	Intelligent Digital Control Unit (LCU + IMS + auto phase discriminator)	Except 008 / 010
CPT	Current Position Transmitter (output 4-20 mA DC)	All
EXT	Extension 120°, 180°, 270° turn	Except 200 / 300
RBP	Rechargeable Battery Backup	Except 008, 015, 020, 030
DCM	DC motor (24V DC)	Except 008, 015, 020, 030
ADCM	Multi AC / DC 24V (integral)	Except 008, 015, 020, 030
LPA	Lever Plate Actuator	Except 008 / 010
SLU	Signal Lamp Unit (white: power on, red: open, green: close, yellow: over torque)	Except 008 / 010
FPA1	Fire Proofing Actuator 1050 ± 5° C. / 50 min.	Engineering consult in advance
FPA2	Fire Proofing Actuator 250 ± 5° C. / 150 min.	Engineering consult in advance
Power Supply	110V	
Control Power Supply	110V	

Valves with a difference

DVC INTERNATIONAL

Product Range

- Ball Valves
- Butterfly Valves Soft Seated
- Butterfly Valves Metal Seated
- Y-angle Globe Control Valves
- Thin Wafer Check Valves
- Pneumatic Actuators
- Electrical Actuators
- Brackets for Actuators
- Limit Switches
- Level Gauges - Reflex & Transparent

Try us

- together we can make a difference

DVC is a company with a difference - our goal is not to be just another player - we want to be a leading company in the valve business.

Our distributors needs drive our business. It is our goal to build long-term partnerships with everyone of our distributors, contributing to their succes.

Accuracy, excellent service, flexibility, timely delivery and cost effectiveness all ensure that we meet end even exceed the expectations of our distributors.

Visit us at www.dvc.nu and learn more about DVC and our products.

