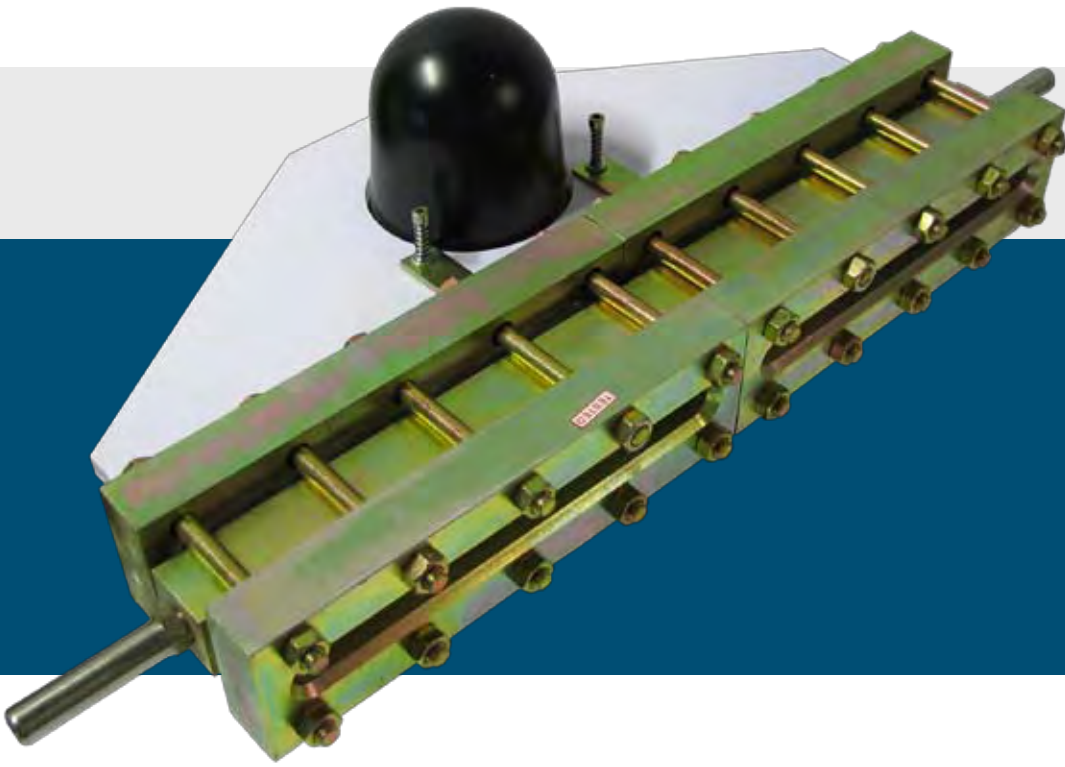
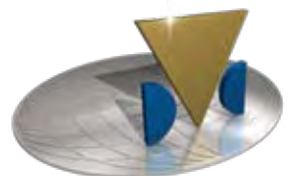


Valves with a difference



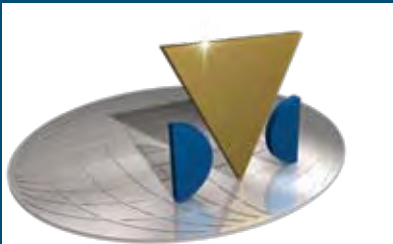
# Level Gauges & Cocks



DVC INTERNATIONAL

With DVC as your business partner, you are always guaranteed a wide and well sorted product range and a unique technical know-how

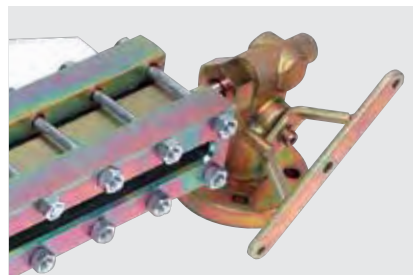
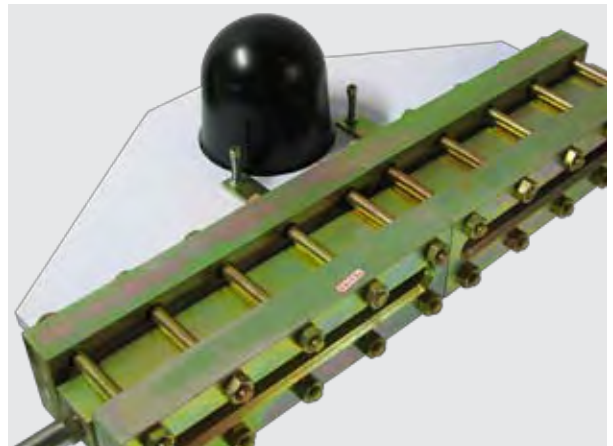
Product development is a key factor for DVC, ensuring you the best products at any time



Heavy-duty  
Long Service  
Large Program  
Value for Money  
100% Pressure Tested  
Reflection & Transparent  
Approved for Certification

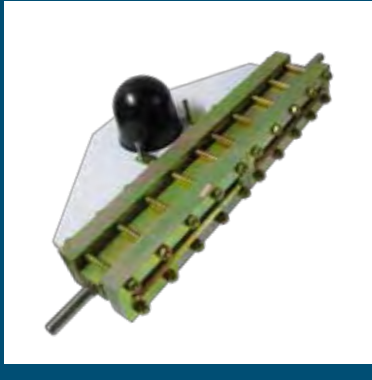
What is important to you, when you buy Level Gauges & Cocks? What about: Heavy-duty? Long service? Large program? Value for money? 100% pressure tested? Both reflection & transparent? Approvals?

Level Gauges & Cocks from DVC International are characterized by their heavy-duty design and certification. They are approved by all major notified bodies. The Level Gauges & Cocks are available in a wide range of dimensions. And at very competitive prices.



Transparent Level Gauge  
Type 9030

Material  
Carbon Steel 20 MN



### Benefits

- For use in dark environment  
Type 9030 is used to indicate the level of fluids in marine based and land based boilers by means of transparent glass and an illuminator.
- Heavy-duty  
Each level gauge is pressure tested by our staff at our own facilities.
- Certifications  
Type 9030 is continuously certified by the notified bodies and comes with EN10204 / 3.1 certificate.
- Suitable for both marine and land based boilers  
Type 9030 is suitable for steam, water, non-aggressive and easy-flowing liquids.

Reflection Level Gauge  
Type 9040

Material  
Carbon Steel 20 MN



### Benefits

- Reflex level gauges  
Type 9040 indicates the level of fluids through prism grooved glass. The light is reflected and the level of fluid is reflected and can be seen as a dark area while steam can be seen as a clear / white area.
- Heavy-duty  
Type 9040 is 100% pressure tested by our staff at our own facilities.
- Certifications  
Type 9040 is continuously certified by the notified bodies and comes with EN10204 / 3.1 certificate.
- Suitable for both marine and land based boilers  
Type 9040 is suitable for steam, water, non-aggressive and easy-flowing liquids.

Level Gauge Cock  
Type 9300

Material  
2G230-460

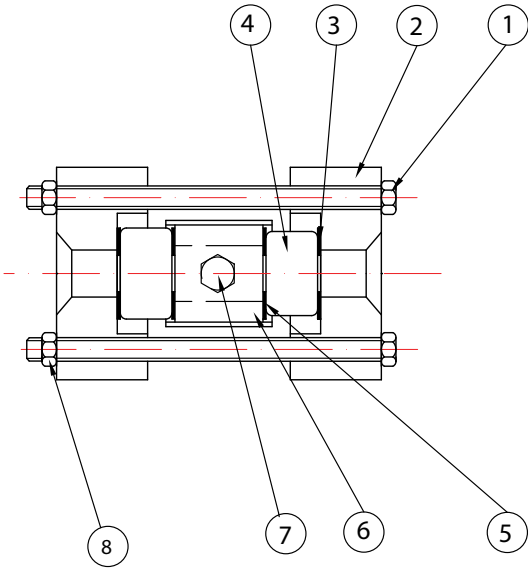


### Benefits

- Heavy-duty  
Type 9300 is reinforced with plugs made of stainless steel, which prevents the cylinder from being compressed into the passage when tightened. The plugs also prevent corrosion.
- Cylinder gasket  
The cylinder gasket is reinforced with rings of stainless steel which prevent the cylinder from being pressed into the passage after re-tightening. The rings also prevent corrosion.
- Heavy-duty  
Type 9300 is 100% pressure tested by our staff at our own facilities.
- Certifications  
Type 9300 is continuously certified by the notified bodies and comes with EN10204 / 3.1 certificate.

# Type 9030 Transparent Level Gauge

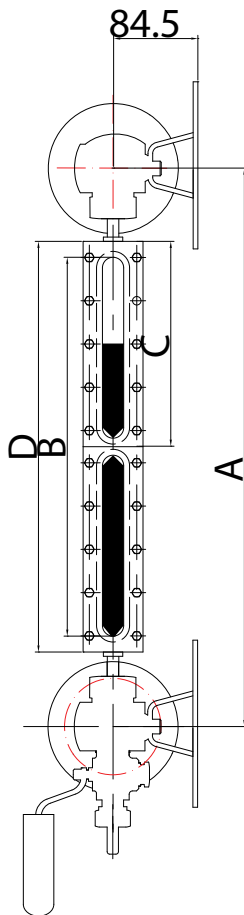
## Materials



Pos	Description	Material
1	Bolt	Steel
2	Front (back) Plate	Carbon Steel 25#
3	Gasket *	Graphite
4	Glass *	Borosilicate Glass
5	Gasket *	Graphite
6	Body	Carbon Steel 20MN
7	Pipe Connection	1Cr18Ni9Ti
8	Nut	Steel

\* Included in the spare part kit.

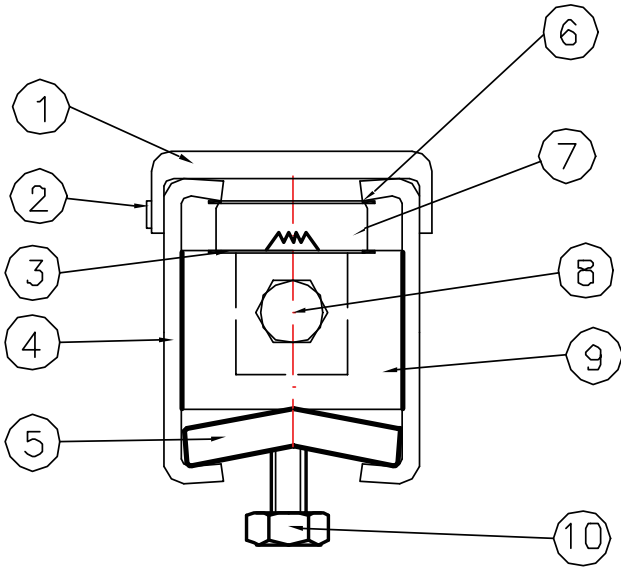
## Dimensions



Size	A [mm] Standard	A [mm] Minimum	B [mm]	C [mm]	D [mm]
1 x 1	235	235	93	115	130
1 x 2	260	260	118	140	155
1 x 3	285	285	143	165	180
1 x 4	310	310	168	190	205
1 x 5	340	340	198	220	235
1 x 6	370	370	228	250	265
1 x 7	400	400	258	280	295
1 x 8	440	440	298	320	335
1 x 9	525	460	318	340	360
2 x 4	525	515	373	190	410
2 x 5	575	575	433	220	470
2 x 6	700	635	493	250	530
2 x 7	695	695	553	280	590
2 x 8	800	775	633	320	670
2 x 9	815	815	673	340	710
3 x 6	950	900	758	250	795
3 x 7	990	990	848	280	885
3 x 8	1110	1110	968	320	1005
3 x 9	1200	1170	1028	340	1065
4 x 7	1300	1285	1143	280	1180
4 x 8	1450	1445	1303	320	1340
4 x 9	1525	1525	1383	340	1420
5 x 7	1580	1580	1438	280	1475
5 x 8	1780	1780	1638	320	1675
5 x 9	1880	1880	1738	340	1775
6 x 8	2115	2115	1973	320	2010
6 x 9	2235	2235	2093	340	2130
7 x 9	2590	2590	2448	340	2485

# Type 9040 Reflex Level Gauge

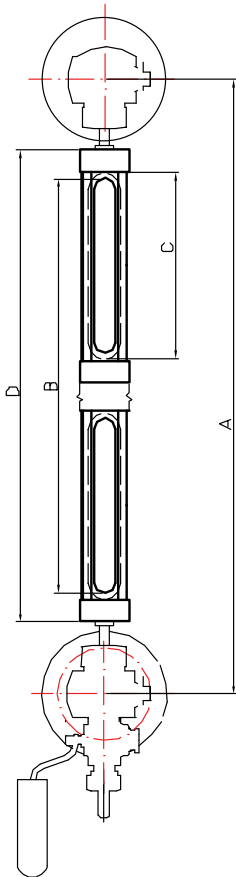
## Materials



Pos	Description	Material
1	Clip	Carbon Steel #25
2	Phillips Screw	Steel
3	Gasket *	Graphite
4	U-profile	Carbon Steel #25
5	V-profile	Carbon Steel #25
6	Gasket *	Graphite
7	Glass *	Borosilicate Glass DIN 7081
8	Pipe Connection	1Cr18Ni9Ti
9	Body	Carbon Steel 20NM
10	Bolt	Steel

\* Included in the spare part kit.

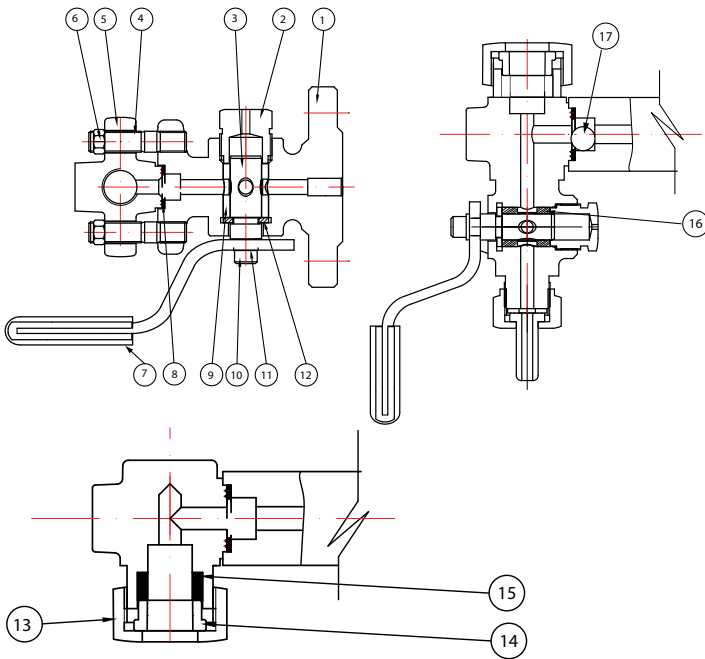
## Dimensions



Size	A [mm] Standard	A [mm] Minimum	B [mm]	C [mm]	D [mm]
1 x 3	285	285	143	165	180
1 x 4	310	310	168	190	205
1 x 5	350	340	198	220	235
1 x 6	370	370	228	250	265
1 x 7	400	400	258	280	295
1 x 8	500	440	298	320	335
1 x 9	525	460	318	340	360
2 x 4	525	515	373	190	410
2 x 5	575	575	433	220	470
2 x 6	700	635	493	250	530
2 x 7	760	695	553	280	590
2 x 8	800	775	633	320	670
2 x 9	875	815	673	340	710
3 x 6	950	900	758	250	795
3 x 7	1050	990	848	280	885
3 x 8	1175	1110	968	320	1005
3 x 9	1200	1170	1028	340	1065
4 x 7	1300	1285	1143	280	1180
4 x 8	1450	1445	1303	320	1340
4 x 9	1590	1525	1383	340	1420
5 x 7	1580	1580	1438	280	1475
5 x 8	1800	1780	1638	320	1675
5 x 9	1880	1880	1738	340	1775
6 x 8	2115	2115	1973	320	2010
6 x 9	2235	2235	2093	340	2130
7 x 9	2590	2590	2448	340	2485

# Type 9300 Level Gauge Cock

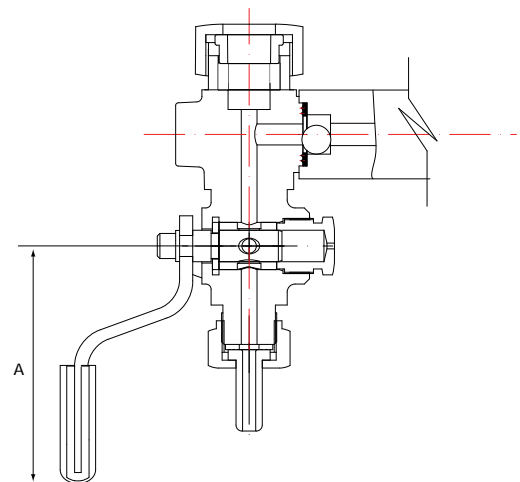
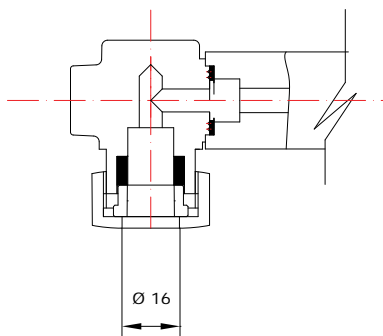
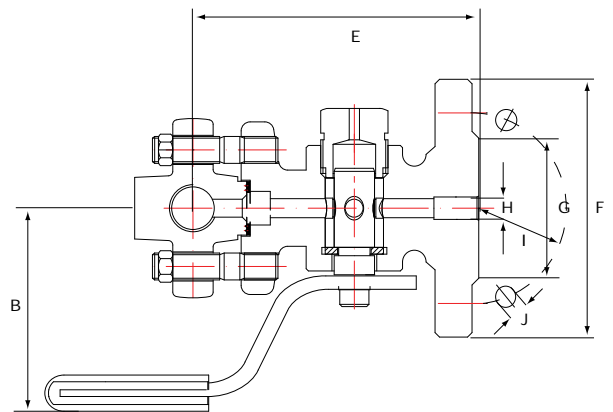
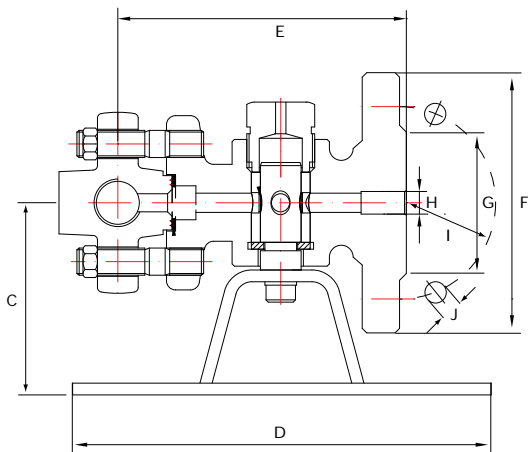
## Materials



Pos	Description	Material
1	Body	ZG230-450
2	Nut	Carbon Steel #25
3	Cock Plug	AISI 316
4	Stud Bolt	Steel
5	Stuffing Box Body	ZG230-450
6	Hexagonal Nut	Steel
7	Cock Handle	Carbon Steel #25
8	Joint Ring *	Fiber Ring
9	Packing Sleeve *	Graphite
10	Socket Head Screw	Steel
11	Washer	Steel
12	Split Ring	AISI 316
13	Union Ring	Carbon Steel 25#
14	Thrust Ring	Carbon Steel 25#
15	Packing Sleeve *	Graphite
16	Packing Sleeve *	Graphite
17	Safety Ball (non-return function)	Steel

\* Included in the spare part kit.

## Dimensions



Størrelse	A	B	C	D	E	F	G	H	Drilling			Weight handle top / bottom approx. [kg]	Weight chain top / bottom approx. [kg]
									Holes	I	J		
DN20 - PN 40	165	80	90	200	125	105	75	10	4	75	12	3.0 / 3.6	3.2 / 4.0
DN25 - PN 40	165	80	90	200	125	115	85	10	4	75	12	-	3.6 / 4.0

The coupling between cock and level gauge is made through a Ø 16 mm connecting pipe [on the gauge] which is embedded in the stuffing box packing [on the cock].

## Other products for steam

Type 3500



### Y-angle Globe Control Valves

- **Versatile**  
Type 3500 has a wide range of applications, such as breweries, textile, medical, food and chemical industries.
- **Large Program**  
Type 3500 is available as Normally Closed, Normally Open and SMS or threaded ends.
- **Maintenance Free**  
Type 3500 requires no maintenance.

Type 3540



### Globe Valves

- **Heavy-duty**  
Type 3540/42 has a stem with back-up, which reduces the load on the gland packing, when the valve is in open position.
- **Certified**  
Type 3540/42 is continually certified by the notified bodies and comes with EN10204 certificate.
- **Long service**  
Type 3540/42 has a pin between the bonnet and bushing, which provides long service

Type 8000



### Ball Float Steam Trap

- **Protected against water hammer**  
Type 8000 has an encapsulated air trap and a solid ball float.
- **Flexible mounting**  
Type 8000 can be mounted both horizontal and vertical, simple by flipping the cover (only threaded ends 1/2" - 1").
- **High capacity**  
Type 8000 has a high capacity, up to 22900 kg/h.

Type 6540



### Strainers

- **Flexible mounting**  
Type 6540 can be mounted in numerous positions as long as the flow is kept in the direction indicated by the arrow.
- **Maintenance**  
Discharge of deposited dirt through the bottom aperture.
- **Heavy-duty**  
Type 6540 is pressure tested at 1.5 times max. operating pressure.

# Valves with a difference

## DVC INTERNATIONAL

### Product Range

- Ball Valves
- Butterfly Valves Soft Seated
- Butterfly Valves Metal Seated
- Y-angle Globe Control Valves
- Thin Wafer Check Valves
- Pneumatic Actuators
- Electrical Actuators
- Brackets for Actuators
- Limit Switches
- Level Gauges - Reflex & Transparent

### Try us

#### - together we can make a difference

DVC is a company with a difference - our goal is not to be just another player - we want to be a leading company in the valve business.

Our distributors needs drive our business. It is our goal to build long-term partnerships with everyone of our distributors, contributing to their succes.

Accuracy, excellent service, flexibility, timely delivery and cost effectiveness all ensure that we meet end even exceed the expectations of our distributors.

Visit us at [www.dvc.nu](http://www.dvc.nu) and learn more about DVC and our products.

